

Top "D" Handle Elbows

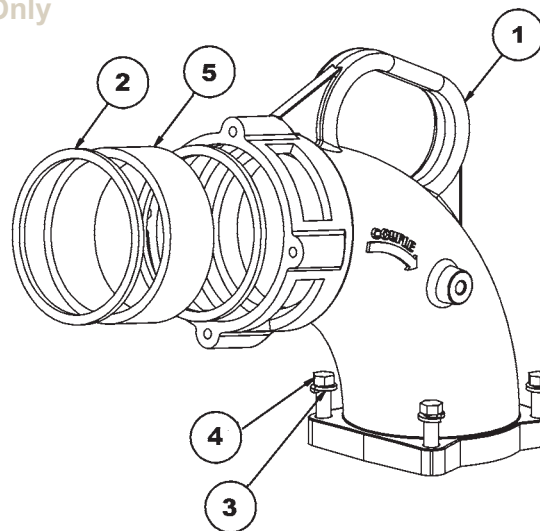
Fits 6000 Elbow Only

Bill of Materials

Item #	Description	Part #	Qty
1	body	6200-1	1
2A	Baylast™ gasket	4433	2
2B	FKM gasket (optional)	4426	2
3	lock washer	use kit 6000EHK	4
4	bolt	use kit 6000EHK	4
5	sight glass	use kit 6200SGK	1

Repair Kits

Part #	Description	Includes Item #
6200SGK	replacement sight glass and Baylast™ seal	2, 5
6000EHK	replacement bolts and washers	3, 4



Bottom Unit, for "D" Handle Elbows

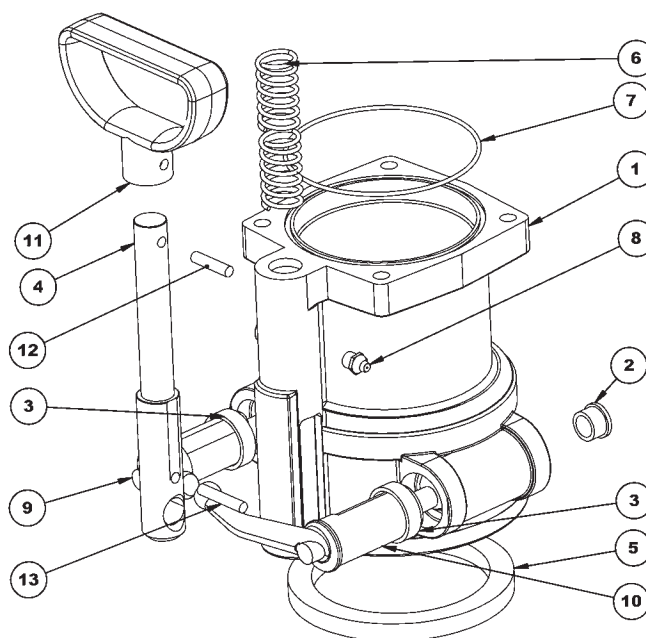
Fits 6000, 6303 and 6304

Bill of Materials

Item #	Description	Part #	Qty
1	body	use kit 6030	1
2	small bushing	use kit 6200BK	2
3	large bushing	use kit 6200BK	2
4	handle stem	6000-7	1
5	main gasket	6000-9	1
6	spring	112012	1
7	O-ring	AS156	1
8	grease nipple	NIPPLE/1	1
9	right arm	use kit 6200ARK	1
10	left arm	use kit 6200ARK	1
11	handle	6000-8	1
12	handle pin	6000-13	1
13	pin	6000-12	1

Repair Kits

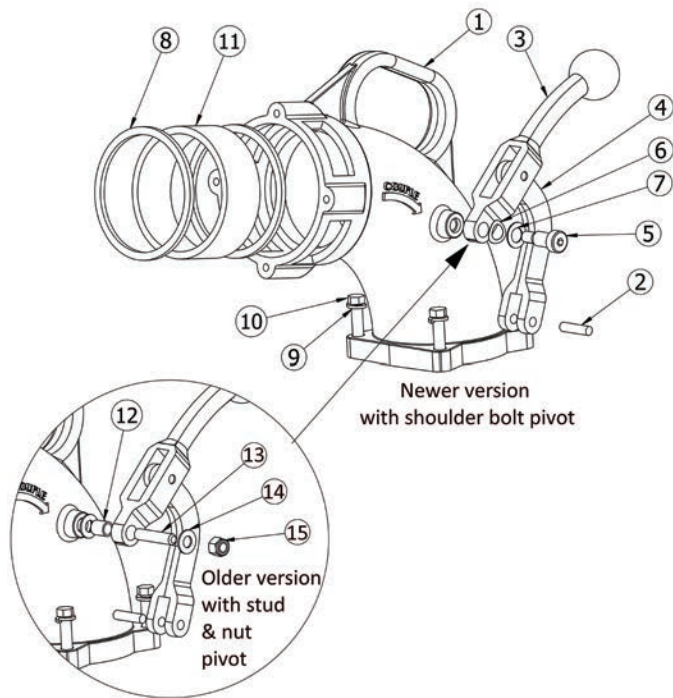
Part #	Description	Includes Item #
6030	complete replacement bottom unit	all
6200ARK	replacement L and R arms, main gasket, O-rings, small and large bushings	2, 3, 5, 7, 9, 10
6200BK	replacement (2) small & (2) large bushings	2, 3



Petroleum Replacement Parts

Product instruction sheets and technical data can be viewed on our website at dixongroupcanada.com by selecting the 'Resources' menu.

Top Side Lever Elbows Fits 6200 Elbow Only



Bill of Materials

Item #	Description	Part #	Qty
1	body	6200-1	1
2	pin	PIN5/16X 1 1/4-P	2
3	handle	use kit 6200-15ASSM	1
4	handle linkage	use kit 6200-15ASSM	1
5 ¹	shoulder bolt	use kit 6200SBK	1
6 ¹	wave washer	use kit 6200SBK	2
7 ¹	SS flat washer	use kit 6200SBK	1
8A	Baylast™ gasket	4433	2
8B	FKM gasket (optional)	4426	2
9	lock washer	use kit 6000EHK	4
10	bolt	use kit 6000EHK	4
11	sight glass	use kit 6200SGK	1
12 ²	bushing	use kit 6200SHK	1
13 ²	stud	use kit 6200SHK²	1
14 ²	nylon washer	use kit 6200SHK²	2
15 ²	nut	use kit 6200SHK²	1

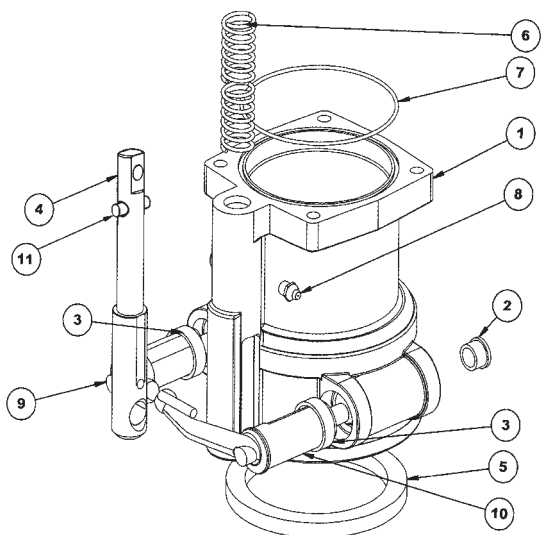
¹ items 5 through 7 are for newer version with shoulder bolt pivot only

² for older version with stud and nut pivot use items 12 through 15 instead

Repair Kits

Part #	Description	Includes Item #
6200-15ASSM	replacement handle and linkage	3, 4
6200SGK	replacement sight glass and Baylast™ seals	8, 11
6000EHK	replacement bolts and lock washers	9, 10
6200SBK¹	replacement shoulder bolt pivot, wave washer and flat washer	5, 6, 7
6200SHK²	replacement stud pivot, nylon washers, bushing and nut	12, 13, 14, 15

Bottom Unit, for Side Lever Elbows Fits 6200, 6400 and 6500 Standard and Tall Elbows



Bill of Materials

Item #	Description	Part #	Qty
1	body	use kit 6230 or 6230X	1
2	small bushing	use kit 6200BK	2
3	large bushing	use kit 6200BK	2
4A	handle stem (standard)	6200-7	1
4B	handle stem (tall)	6200-7X	1
5	main gasket	6000-9	1
6	spring	112012	1
7	O-ring	AS156	1
8	grease nipple	NIPPLE/1	1
9	right arm	use kit 6200ARK	1
10	left arm	use kit 6200ARK	1
11	pin	PIN5/16X 1 1/4-P	1

Repair Kits

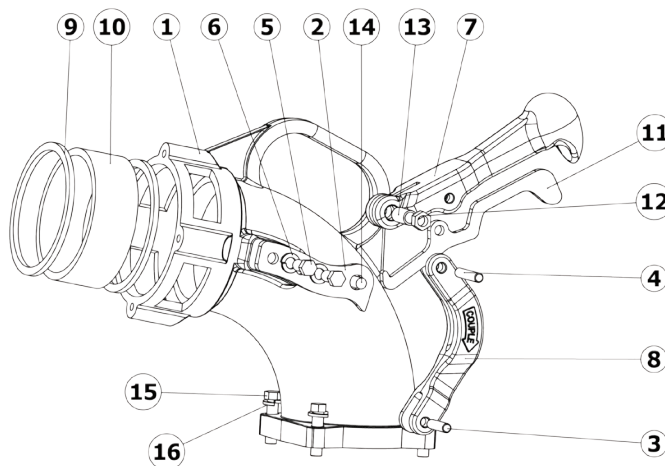
Part #	Description	Includes Item #
6230	complete standard replacement bottom unit	all
6230X	complete tall replacement bottom unit	all
6200ARK	replacement L and R arms, main gasket, O-rings, small and large bushings	2, 3, 5, 7, 9, 10
6200BK	replacement small and large bushings	2, 3

Product instruction sheets and technical data can be viewed on our website at dixongroupcanada.com by selecting the 'Resources' menu.

Top Side Lever Elbows Fits 6500 Elbow Only

Bill of Materials

Item #	Description	Part #	Qty
1	body	341709	1
2	mounting plate	use kit 6500AHK	1
3	lower lever pin	111728	1
4	upper lever pin	111727	1
5	plate screw	112242	2
6	washer	WASHER.375SS	2
7	handle	use kit 6500-RK1	1
8	linkage	use kit 6500-RK1	1
9A	Baylast™ gasket	4433	2
9B	FKM gasket (optional)	4426	2
10	sight glass	use kit 6200SGK	1
11	locking latch	use kit 6500-RK1	1
12	lock nut	111730	1
13	bushing	390841	1
14	screw	111729	1
15	bolt	use kit 6000EHK	4
16	lock washer	use kit 6000EHK	4



For bottom end replacement parts, please see below

Repair Kits

Part #	Description	Includes Item #
6200SGK	replacement sight glass and Baylast™ seals	9A, 10
6000EHK	replacement bolts, washers	15, 16
6500-RK1	replacement handle, linkage, lock latch, nut, bushing, pins	2, 3, 4, 5, 6, 7, 8, 11, 12, 13, 14
6500AHK	replacement mounting plate, screws and lock washers	2, 5, 6, 14

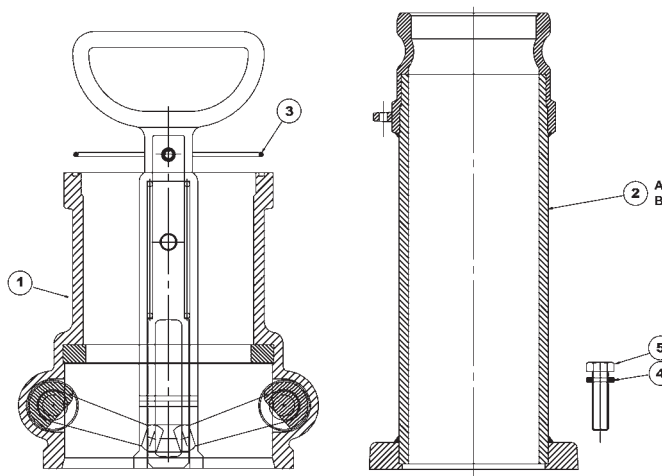
6303 and 6304 Series Straight Drop Fittings 6303 (3" inlet), 6304 (4" inlet)

Bill of Materials

Item #	Description	Part #	Qty
1	complete bottom unit	6030	1
2A	4" adapter inlet tube	6304-1	1
2B	4" MNPT inlet tube	400460	1
2C	3" adapter inlet tube	6300-3	1
2D	3" MNPT inlet tube	400588	1
3	O-ring	AS156	1
4	lock washer	use kit 6000EHK	4
5	bolt	use kit 6000EHK	4

Elbow Hardware Kit

Part #	Description	Includes Item #
6000EHK	lock washer, bolt	4, 5

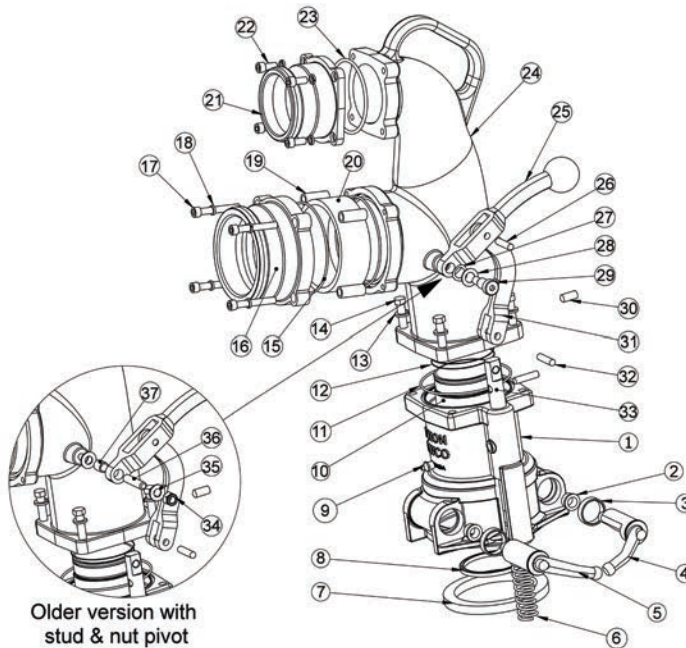


Petroleum
Replacement Parts

Product instruction sheets and technical data can be viewed on our website at dixongroupcanada.com by selecting the 'Resources' menu.

6400 Series Co-axial Drop Elbow with 3" Male Vapor Outlet

6400 (4" male inlet), 6400F (4" female inlet), 6430 (3" male inlet), 6430F (3" female inlet)



Bill of Materials

Item #	Description	Part #	Qty
1	bottom body	use kit 6230 or 6230X	1
2	small bushing	use kit 6200BK	2
3	large bushing	use kit 6200BK	2
4	right arm	use kit 6200BK	1
5	left arm	use kit 6200BK	1
6	stem spring	112012	1
7	main gasket	6000-9	1
8	tube U cup seal	U-CUP-2/75	1
9	grease nipple	NIPPLE/1	1
10	tube	use kit 6400DTK	1
11	O-ring	AS156	1
12	tube O-ring	O-RING#39	2
13	lock washer	use kit 6000EHK	4
14	bolt	use kit 6000EHK	4
15	inlet O-ring	AS156	2
16A	4" adapter fuel inlet (6400)	use kit 6000-17C	1
16B	4" coupler fuel inlet (6400F)	use kit 6000-14C	1
16C	3" adapter fuel inlet (6430)	use kit 6000-16C	1
16D	3" coupler fuel inlet (6430F)	use kit 6000-15C	1
17	inlet bolt	SC5/16-18X2.5P	4
18	inlet bolt lock washer	111723	4
19	inlet bolt spacer	6544CA-1	4
20	sight glass	use kit 6400SGK	1
21A	3" adapter vapor outlet	6400-4	1
21B	3" male NPT vapor outlet	6000-26C	1
22	vapor adapter bolt	4432	4
23	vapor adapter O-ring	110601	1
24	top co-axial elbow body	6400-1	1
25	handle	use kit 6200-15ASSM	1
26	handle pin	PIN5/16X 1 1/4-P	1
27	wave washer ¹	use kit 6200SBK ¹	1
28	SS flat washer ¹	use kit 6200SBK ¹	1
29	shoulder bolt ¹	use kit 6200SBK ¹	1
30	set screw	SC3/8NCX1/2	1
31	linkage	use kit 6200-15ASSM	1
32	stem pin	PIN5/16X 1 1/4-P	1
33A	lever stem (standard)	6200-7	1
33B	lever stem (tall)	6200-7X	1
34	pivot lock nut ²	use kit 6200SHK ²	1
35	washer ²	use kit 6200SHK ²	2
36	pivot stud ²	use kit 6200SHK ²	1
37	pivot bushing ²	use kit 6200SHK ²	1

¹ items 27, 28 & 29 are for the newer version with a shoulder bolt pivot only.
² for the older version with stud and nut pivot, use items 34 through 37 instead.

Repair Kits

Part #	Description	Includes Item #
6230	complete standard replacement bottom unit	1-7, 9, 11, 32, 33A
6230X	complete tall replacement bottom unit	1-7, 9, 11, 32, 33B
6400ARK	replacement L & R arms, main gasket, O-rings, small & large bushings	2-5, 7, 8, 11, 12
6200BK	replacement small & large bushings	2, 3
6400SGK	replacement sight glass and seal	15, 20
6200-15ASSM	replacement handle, lever and pin	25, 31
6000EHK	replacement bolts and washers	13, 14
6400DTK	replacement tube, O-ring & U cup seal	8, 10, 12
6200SHK ²	replacement pivot stud, bushing, washer and lock nut	34-37
6200SBK ¹	replacement shoulder bolt pivot, wave washer and flat washer	27-29

Inlet Adapter and Coupler Kits

Part #	Description	Includes Item #
6000-14C	4" coupler inlet kit	16B, 17, 18
6000-15C	3" coupler inlet kit	16D, 17, 18
6000-16C	3" adapter inlet kit	16C, 17, 18
6000-17C	4" adapter inlet kit	16A, 17, 18
6000-26C	3" male NPT vapor outlet	21B

Petroleum Replacement Parts

Product instruction sheets and technical data can be viewed on our website at dixongroupcanada.com by selecting the 'Resources' menu.