



The Right Connection®

Dixon Sanitary Pump Carts



Standard Features:

- Handle assembly: 1½" glass bead blasted 304 stainless steel tubing
- Cord hanger: sturdy handle mounted ½" diameter hanger
- Pump mounting plate: glass bead blasted ¼" 304 stainless steel plate
- Flat free tires: 8" x 2" Polyurethane tire, aggressive sawtooth tread, steel rim
- Pre-wiring: all carts ordered with motor and VFD come pre-wired
- Oil drain: Positive displacement pump cart assemblies come standard with oil drain hole that allows oil to be drained without removing pump from cart.

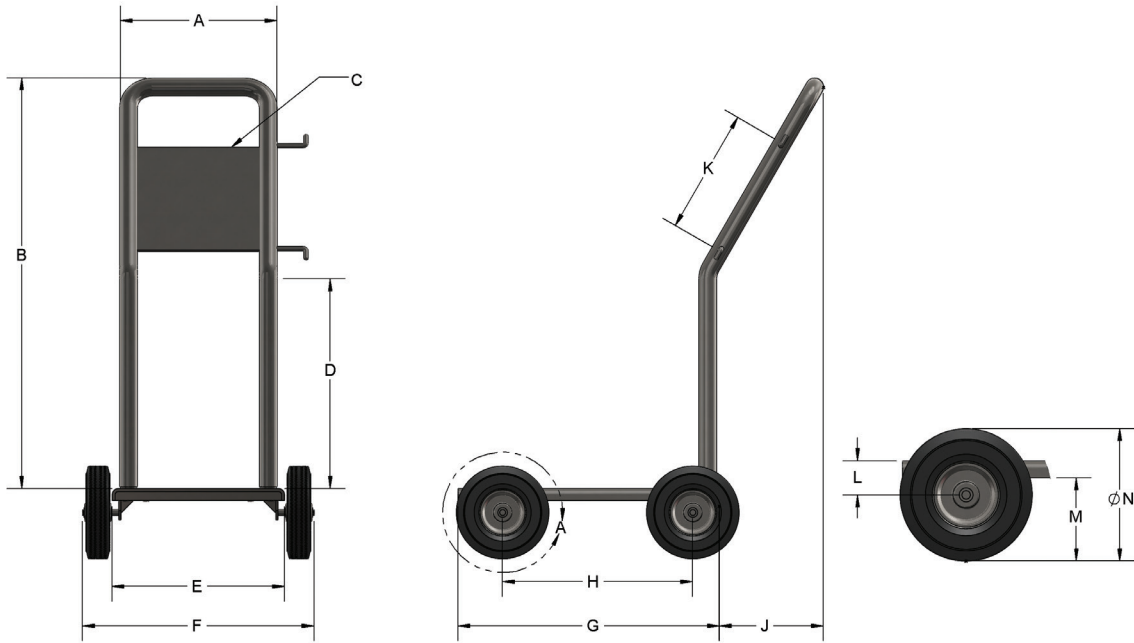
Optional Features:

- Controls: complete range of VFD options
- VFD programming: VFD can be pre-programmed for customer to meet their specific requirements
- Electrical cord: cord can be supplied with cart, (customer must specify length)
- Digital pressure transmitter provides feedback to the VFD to help optimize performance
- Food grade casters: 85A durometer cushioned rubber casters with locking rear casters
- Special requirements: Dixon Sanitary Engineering Department can provide unique solutions for specific customer requirements.

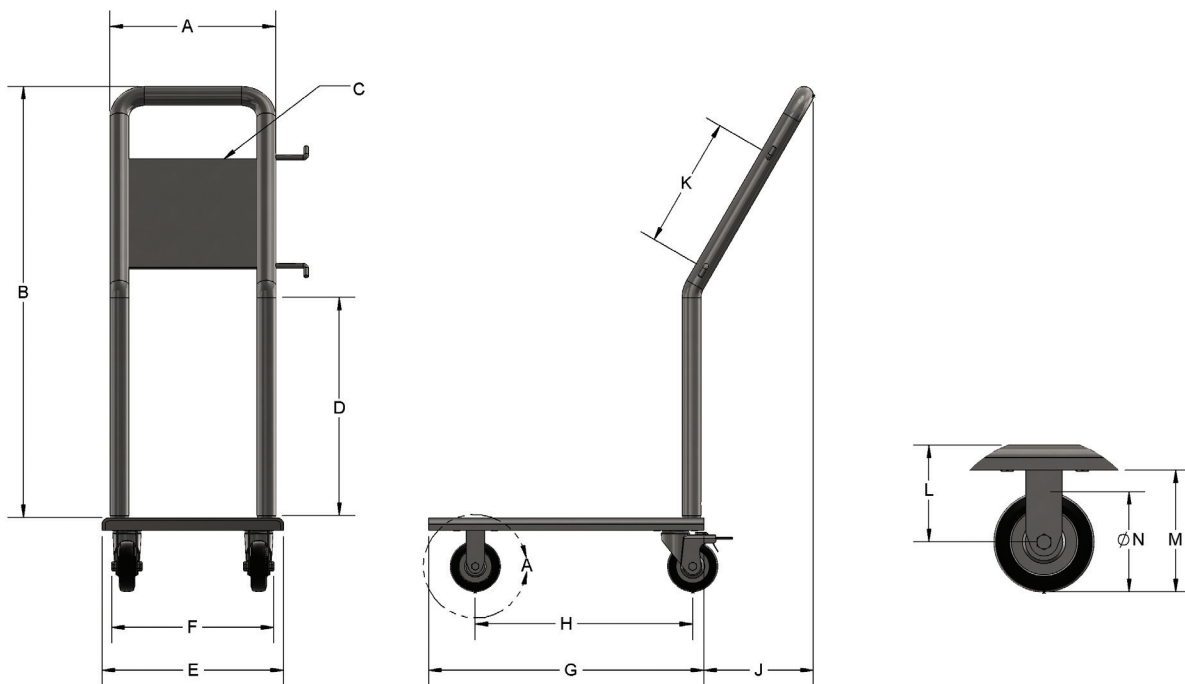
Pump Models and Motor Sizes:

- Centrifugal models: BC/BP Series 114 - 428
Flow rate: up to 400 GPM
Connections: 1½" to 4"
- Rotary Lobe Pump sizes: RZW 120, RZL 105 to 225
Flow rate: up to 120 GPM
Connections: 1" to 2½"
- Motor sizes: 1/4 HP to 10 HP

Pump Cart with Flat Free Tires



Pump Cart with Casters



Description	Cart Model	A	B	C	D	E	F	G	H	J	K	L	M	N
Flat Free Tires	PC-1	13.25	34.50	VFD Mounting Plate (10x10x0.125)	17.60	14.50	19.50	22.00	16.00	8.75	10.50	2.00	4.90	8.00
Casters	PC-2						12.95		17.40			3.89		4.00

connect with us on



Dixon Sanitary

N25 W23040 Paul Road • Pewaukee, WI 53072

ph: 800.789.1718 • 262.513.6900 • fx: 800.789.4046 • 262.513.4904

dixonvalve.com

scan to visit our website

