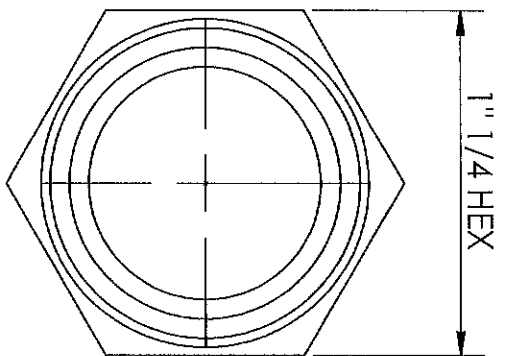
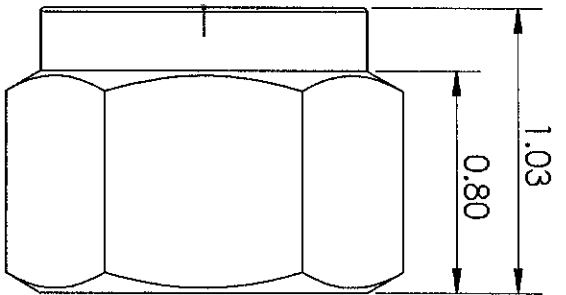
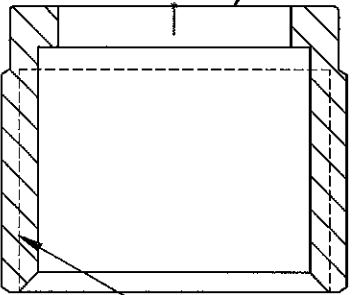


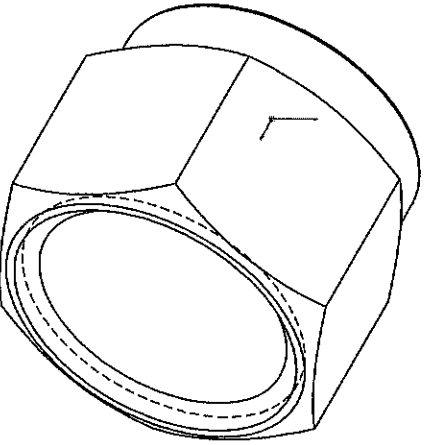
LINE DRAWING NOT FOR PRODUCTION PURPOSES



0.850
THRU HOLE DIA. 0.845



1" 1/16 - 12 UN 2B
THREAD



THIS DRAWING CONTAINS INFORMATION DEEMED PROPRIETARY TO DIXON BRASS AND IS SO TO BE USED ONLY FOR THE PURPOSE FOR WHICH IT IS SUBMITTED, AND FURTHER, SHALL NOT BE COPIED IN WHOLE OR IN PART WITHOUT EXPRESS WRITTEN PERMISSION FIRST OBTAINED FROM DIXON BRASS. UNLESS OTHERWISE SPECIFIED:

DIMENSIONS ARE IN INCHES

TOLERANCES:
X (-0.015)
XX (-0.010)
XXX (-0.005)

ANGLES: ±0.30°
DIMENSIONS PER ANSI Y14.5



Dixon Brass
Westmont, Illinois USA

TITLE: FEMALE SWIVEL NUT
JIC 1" 1/16 - 12

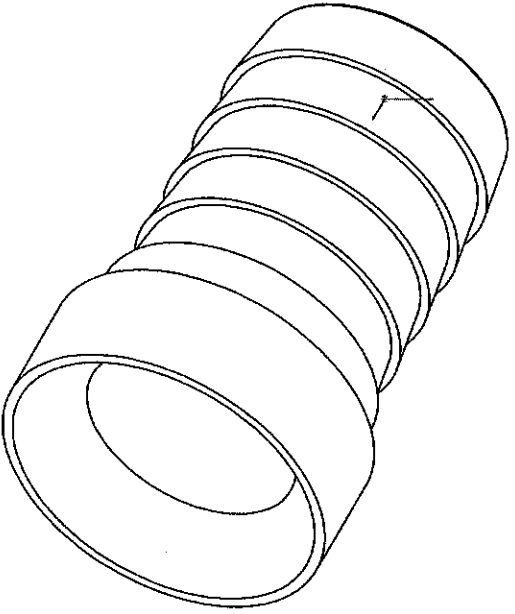
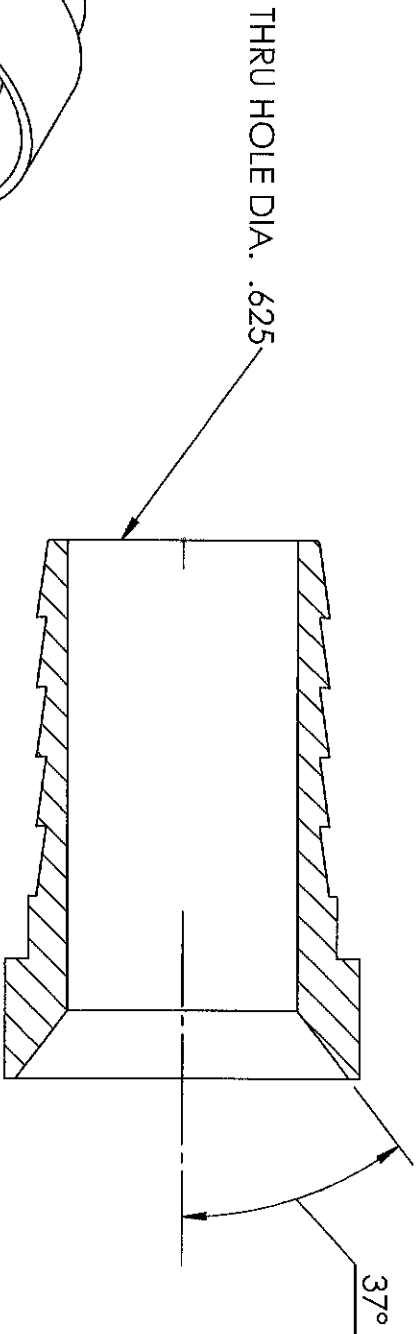
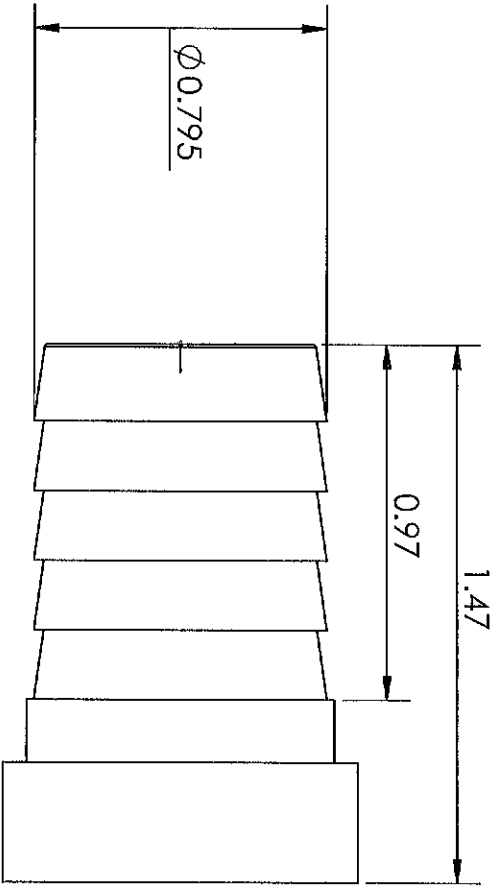
SIZE DWG. NO.
A 1451217N

DRAWING NOT REPRODUCED TO SCALE

DRAWN	DATE
P. MONAGHAN	6/16/14
APPROVED	DATE
ECO NO.	

REV
A

LINE DRAWING NOT FOR PRODUCTION PURPOSES



THIS DRAWING CONTAINS INFORMATION DEEMED PROPRIETARY TO DIXON BRASS AND IS SO TO BE USED ONLY FOR THE PURPOSE FOR WHICH IT IS SUBMITTED, AND FURTHER, SHALL NOT BE COPIED IN WHOLE OR IN PART WITHOUT EXPRESS WRITTEN PERMISSION FIRST OBTAINED FROM DIXON BRASS.

UNLESS OTHERWISE SPECIFIED:

DIMENSIONS ARE IN INCHES

TOLERANCES:

ANGLES: $\pm 0^{\circ}30'$

X (± 0.015)

.XX (± 0.010)

.XXX (± 0.005)

DIMENSIONS PER ANSI Y14.5



Dixon Brass
Westmont, Illinois USA

TITLE:

FEMALE SWIVEL STEM
37 DEG. JIC SEAT

DRAWN

P. MONAGHAN

APPROVED

DATE
6/13/14

ECO NO.

DRAWING NOT REPRODUCED TO SCALE

SIZE

A

DWG. NO.
1451217S

REV

A