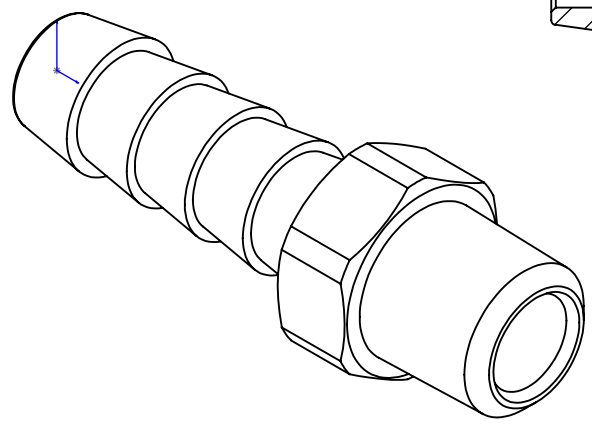
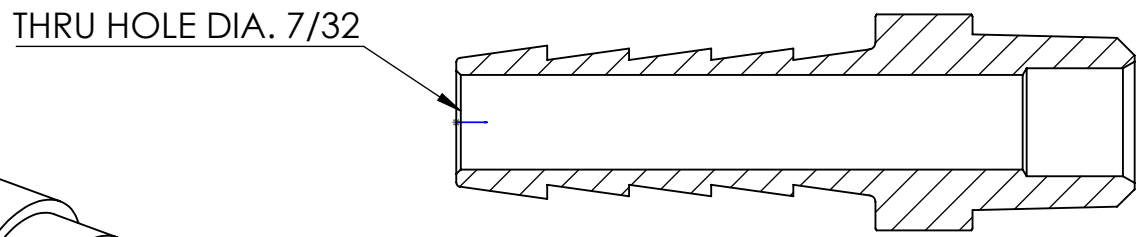
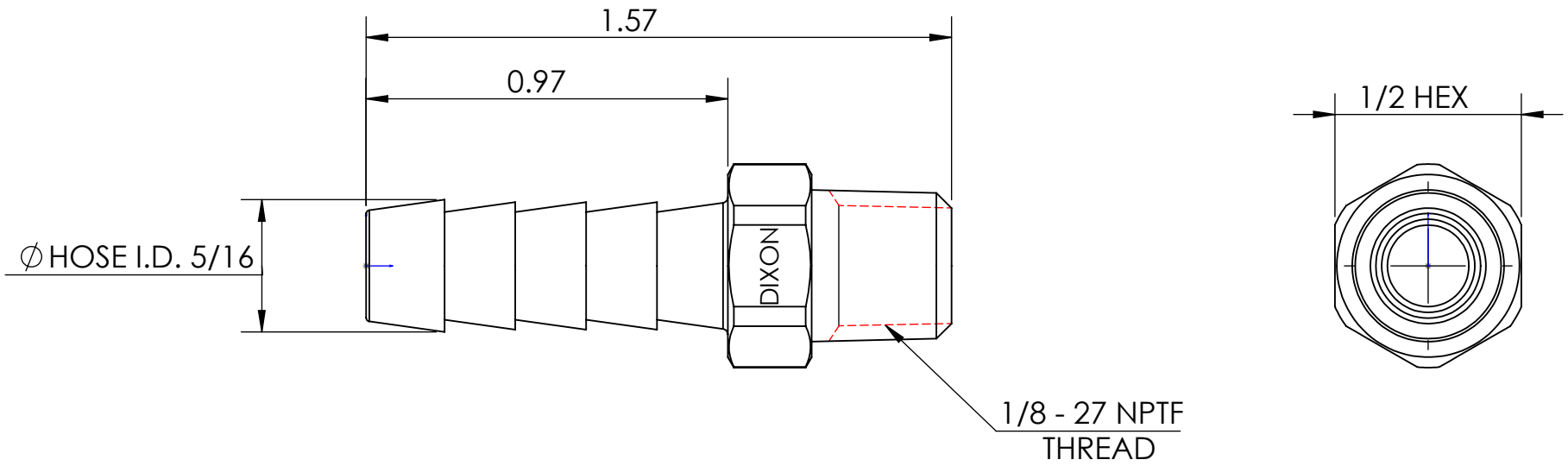



LINE DRAWING NOT FOR PRODUCTION PURPOSES



MATERIAL ALLOY 2754 LEAD FREE BRASS

 <i>The Right Connection™</i>	Dixon Brass Westmont, Illinois USA		DRAWN P. MONAGHAN DATE 12/30/19
			APPROVED DATE
TITLE: 5/16 MALE HOSE BARB X 1/8 - 27 NPTF			ECO NO.
SIZE A		DO NOT SCALE THIS DRAWING DWG. NO. 1020502CLF	
		REV A	

This drawing is owned by Dixon Valve & Coupling Co. and shall be returned upon demand. It is loaned on condition that it shall not be copied or reproduced or submitted to others without the owners consent. In accepting it, subject to this condition, the recipient further agrees that this drawing or any design detail or concept disclosed herein shall not be used in any way detrimental to or in competition with the owner. If the recipient does not agree to the terms of this agreement they shall return this drawing immediately. The information contained in this drawing is subject to change without notice.