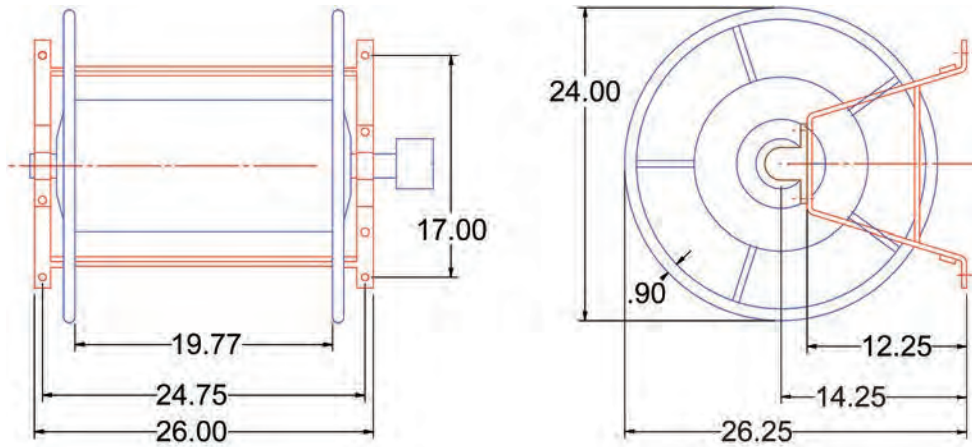


Global Continuous Flow Reels (original Wirt & Knox design)



Features:

- optional adapters (order separately):
 FM15S15F = 1½" FNPSH x 1½" MNST brass
 FM1515F = 1½" FNPT x 1½" MNST brass

Steel Part #	Hose Size and Capacity			Inlet Size (inches)	Outlet Size (inches)	Wt. (lbs)	Price/E
	¾"	1"	1½"				
FD47I-150-100	250'	150'	100'	1½ NPT	1½ NPT	92	\$805.00

Global Continuous Flow Hose Reel Covers



Cover for	Dimensions	Vinyl Part #	Price/E
FD47I-150-100	22" x 24" x 24"	FD47-C2	\$195.00

Replacement Inlet Swivel Joints for Wirt & Knox Continuous Flow Reels



Size	Steel Part #	Weight (lbs)	List Price
1"	1212-0534-4	3.3	\$378.00
1½"	1212-0540-4	5	378.00