

Dubl-Grip® Re-attachable Couplings for Curb Pump Hose

Features:

- Two-piece re-attachable coupling made of chrome-plated brass for pump hose.
- Streamlined design prevents damage to hose and fits smartly on new pump equipment.
- Wide, flat surfaces of body threads protect inside of hose from breaking.
- Tapered surfaces of sleeve and body cradle hose, prevent one-point strain from flexing.
- Hose is gripped on its full circumference in two places, ensuring a rigid leakproof connection.
- couplings have standard male NPT threads
- worn portion of hose can be removed and Dubl-Grip® can be reapplied
- easy assembly:

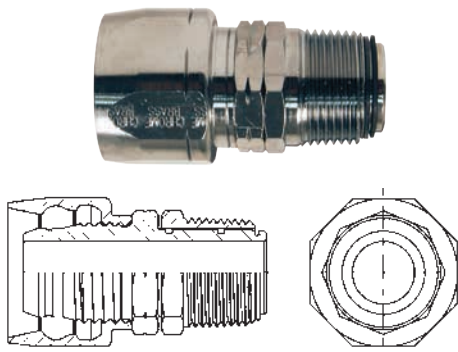
Hose is held in position by sleeve as body is threaded home.

Only a wrench is required to assemble the Dubl-Grip®.



Reattach static wire if required.

H-600 Series Dubl-Grip® Swivel Re-attachables



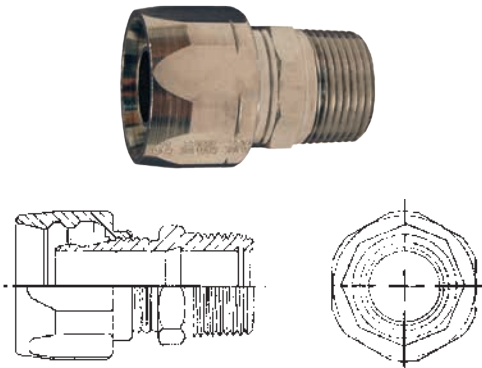
Hose ID	Male NPT	Hose OD	Chrome Plated Brass	
			Part #	Price/E
5/8"	3/4"	1"	H601 ¹	22.60
5/8"	3/4"	1-1/32"	H602 ¹	22.60
3/4"	3/4"	1-1/8"	H603	37.50
3/4"	3/4"	1-13/64"	H604	37.50
3/4"	3/4"	1-1/4"	H605	37.50
1"	1"	1-3/8"	H609 ²	58.00
1"	1"	1-7/16"	H610 ²	58.00
1"	1"	1-1/2"	H611 ²	58.00

¹ items will be discontinued when stock is depleted

² octagonal shape

L

Dubl-Grip® Re-attachables



Hose ID	Male NPT	Hose OD	Chrome Plated Brass	
			Part #	Price/E
5/8"	3/4"	1"	850212	\$20.50
5/8"	3/4"	1-1/32"	850213	20.50
3/4"	3/4"	1-1/8"	850451	27.60
3/4"	3/4"	1-13/64"	850455	27.60
3/4"	3/4"	1-1/4"	850453	27.60
1"	1"	1-3/8"	850841 ¹	42.00
1"	1"	1-7/16"	850801 ¹	42.00
1"	1"	1-1/2"	850811 ¹	42.00

¹ octagonal shape