

## Spray Balls

### Rotating – SRH

#### Application

- Ideal for cleaning all types of tanks and vessels

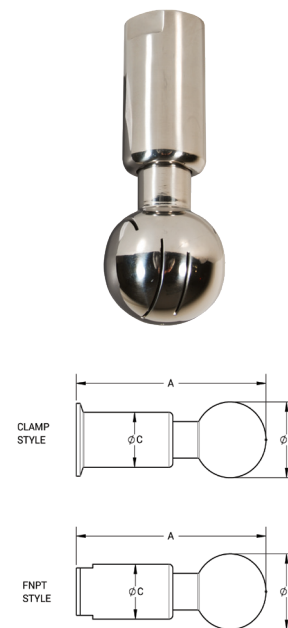
#### Features

- Stainless steel ball bearings
- Cleaning solution lubricates unit
- Mirror-like finish (O.D.)
- Spray pattern: 360°

#### Specification

- Available connections: clamp and NPT

Size	Type	Dimensions			304 Stainless Steel Part #	316L Stainless Steel Part #
		A (in)	B (in)	C (in)		
3/4"	NPT	5.47	2.07	1.50	SRH360NPT-G075	---
1-1/2"	NPT	6.60	2.55	2.00	---	SRH360NPT-R150
	clamp	5.47	2.07	1.50	SRH360CMP-G150	SRH360CMP-R150



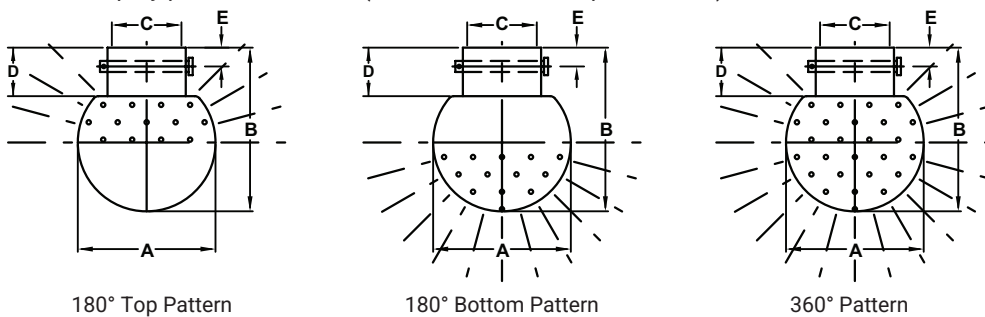
### Stationary – STC

#### Application

- Typically used in food and beverage industries for cleaning storage tanks

#### Features

- Heavy duty 316L stainless steel construction
- Stationary – designed to be mounted to a tube or pipe
- 2 mm spray holes
- Various spray patterns available (blanks available as special order)



Size	Pin Length	Spray Pattern	Dimensions					Pin Diameter (in)	316L Stainless Steel Part #
			A (in)	B (in)	C (in)	D (in)	E (in)		
1"	1.47"	360°	2.50	3.04	1.005	0.975	.445	.226	STC-360-R100
1-1/2"	1.95"		2.95	3.55	1.505	1.050			STC-360-R150
1"	1.47"	180° bottom	3.54	2.95	1.005	0.975			STC-180B-R100
1-1/2"	1.95"				1.505				STC-180B-R150
1"	1.47"	180° top	3.54	2.95	1.005	0.975			STC-180T-R100
1-1/2"	1.95"				1.505				STC-180T-R150

#### Repair Kits

#### Feature

- Repair kit contains
  - (1) pin
  - (1) R clip

Size	Part #
1"	STC-RK100
1-1/2"	STC-RK150