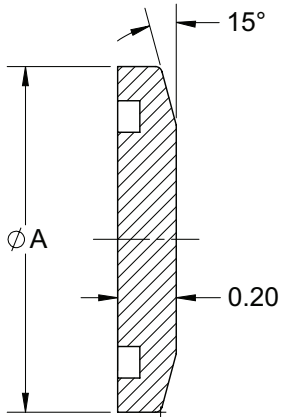


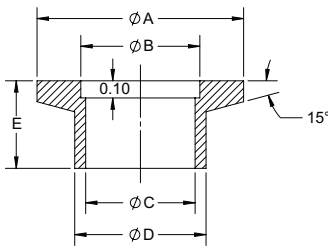
Vacuum Fittings

KF Blank Flanges



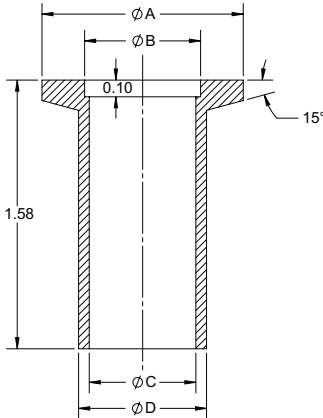
Flange Size	A (in)	304 Stainless Steel Part #
KF10	1.18	DVF-A10GB
KF16		DVF-A16GB
KF25	1.58	DVF-A25GB
KF40	2.17	DVF-A40GB
KF50	2.95	DVF-A50GB

KF Short Weld Flanges



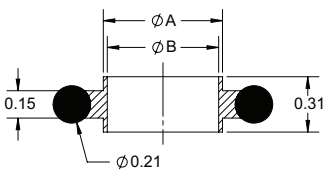
Flange Size	A (in)	B (in)	C (in)	D (in)	E (in)	304 Stainless Steel Part #
KF10	1.18	0.48	0.37	0.50	0.50	DVF-A10GC
KF16		0.67	0.62	0.75		DVF-A16GC
KF25	1.58	1.03	0.87	1.00		DVF-A25GC
KF40	2.17	1.62	1.37	1.50	0.75	DVF-A40GC
KF50	2.95	2.05	1.87	2.00		DVF-A50GC

KF Long Weld Flanges



Flange Size	A (in)	B (in)	C (in)	D (in)	304 Stainless Steel Part #
KF10	1.18	0.48	0.37	0.50	DVF-A10GD
KF16		0.67	0.62	0.75	DVF-A16GD
KF25	1.58	1.03	0.87	1.00	DVF-A25GD
KF40	2.17	1.62	1.37	1.50	DVF-A40GD
KF50	2.95	2.05	1.87	2.00	DVF-A50GD

KF Centering Ring Assemblies



Flange Size	A (in)	B (in)	304 Stainless Steel with FKM O-ring Part #
KF10	0.48	0.44	DVF-A10GE
KF16	0.67	0.63	DVF-A16GE
KF25	1.02	0.98	DVF-A25GE
KF40	1.61	1.57	DVF-A40GE
KF50	2.05	1.97	DVF-A50GE

M