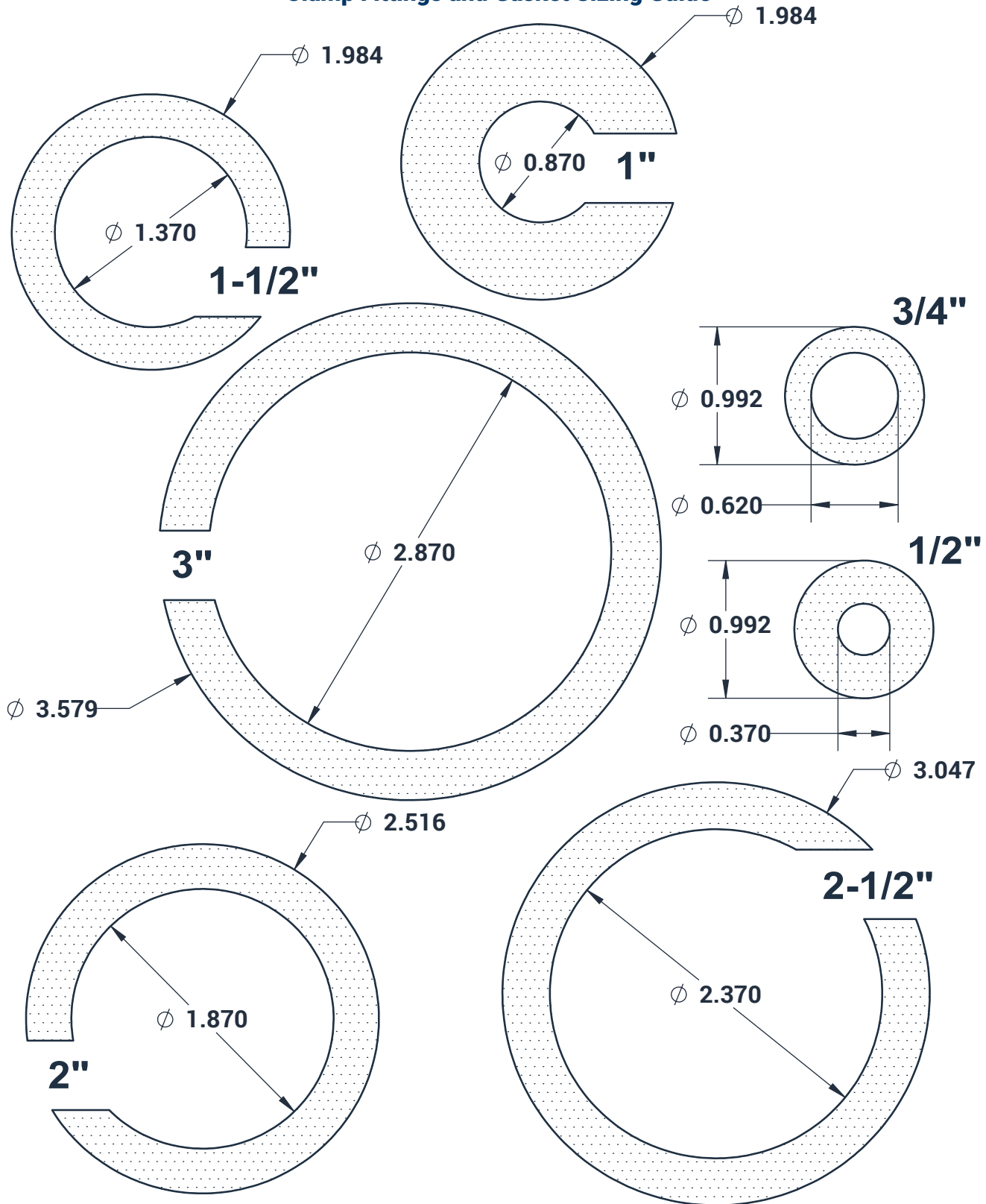


### Clamp Fittings and Gasket Sizing Guide



**M**

Sanitary Size	O.D. of Clamp End (in)	I.D. of Fitting (in)
1/2"	0.992	0.370
3/4"	0.992	0.620
1"	1.984	0.870
1-1/2"	1.984	1.370
2"	2.516	1.870
2-1/2"	3.047	2.370

Sanitary Size	O.D. of Clamp End (in)	I.D. of Fitting (in)
3"	3.579	2.870
4"	4.682	3.834
6"	6.562	5.782
8"	8.602	7.782
10"	10.570	9.782
12"	12.570	11.760