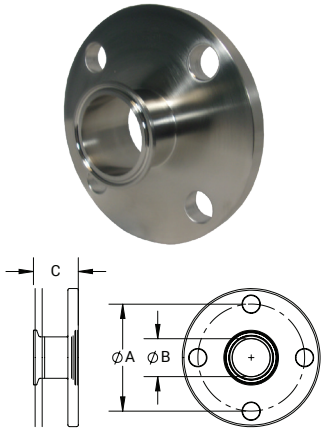


**Laterals, Wyes, Crosses, Bends, and Flanges**

**Clamp x 150# Flange Adapters – B38MP**



Tube O.D.	A (in)	B (in)	C (in)	Number and Diameter Bolt Holes	316L Stainless Steel Part #
1"	3.13	.87	1.63	4/.625	B38MP-R100
1-1/2"	3.88	1.37	1.63	4/.625	B38MP-R150
2"	4.75	1.87	1.75	4/.750	B38MP-R200
2-1/2"	5.50	2.37	1.75	4/.750	B38MP-R250
3"	6.00	2.87	1.75	4/.750	B38MP-R300
4"	7.50	3.83	1.75	8/.750	B38MP-R400
6"	9.50	5.78	2.13	8/.750	B38MP-R600

**Clamp End Protection Covers – BCC**

**Application**

- Use these covers to protect all clamp ends on fittings, valves, filters, and pumps



Size	Vinyl Plastic Blue Part #	Vinyl Plastic Red Part #
1/2"	BCC-050	BCCR-050
3/4"	BCC-075	BCCR-075
1"	BCC-100	BCCR-100
1-1/2"	BCC-150	BCCR-150
2"	BCC-200	BCCR-200
2-1/2"	BCC-250	BCCR-250
3"	BCC-300	BCCR-300
4"	BCC-400	BCCR-400
6"	BCC-600	BCCR-600
8"	BCC-800	---

**M**