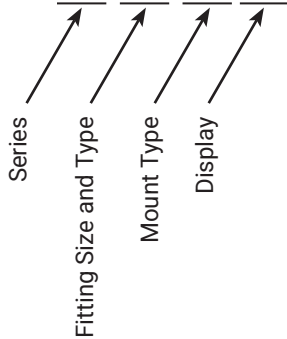




Sanitary Digital Thermometers

Model Number Breakdown DT-2U-BT-DF



Sizes

- Dial size: 3-1/2" diameter
- LCD display: 0.6"

Features

- Accuracy: ±1°
- Surface finish: Ra maximum is 8 microinches
- Battery size/life: standard AAA/3 years
- Shipping weight: approximately 3 lbs.

Materials

- Product contact: 316L stainless steel
- Case: 304 stainless steel
- Lens: 1/4" polycarbonate

Specifications

- Temperature limits: -58°F to 302°F (-50°C to 150°C)
- Ambient operating limits: -4°F to 140°F (-20°C to 60°C)
- Resolution: 0.1° (-58° thru 199.9°)

Ordering Information

Series

DTSanitary digital thermometer

Fitting Type¹

Sizes available: 75, 15, 2, 25, 3, and 4

- I.....male I-Line
- T#13H captive nut and #14 bevel seat
- Uclamp

¹ Specify size then type, i.e. 1-1/2" = 15U

Mount type

- BTbottom
- RTright side
- LF.....left side
- TPtop
- BKback
- BTR.....remote fitting

Display

- DFF (Fahrenheit) standard
- DC.....C (Celsius)

Up-Date Interval

- 1.....one second (1 year battery life)



LEFT SIDE MOUNT

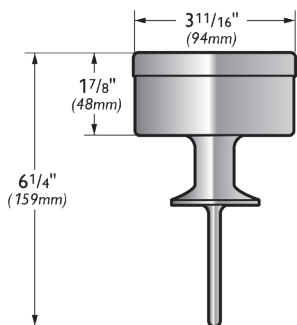


Dimensions

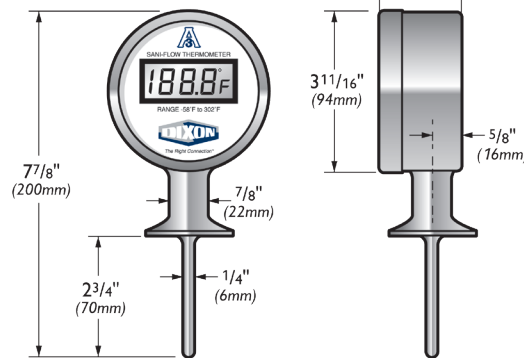
RIGHT SIDE MOUNT



BACK MOUNT



BOTTOM MOUNT



Product not returnable and no cancellations.

Ordering code shown with clamp configuration "U". See ordering information for other types available.

Size	Probe Length ¹	Code
3/4"	2-3/8"	75U
1"	2-5/5"	1U
1-1/2"	2-3/4"	15U
2"	3-1/2"	2U
2-1/2"	3-1/2"	25U
3"	3-3/4"	3U
4"	4-1/2"	4U

¹ Custom probe lengths are available