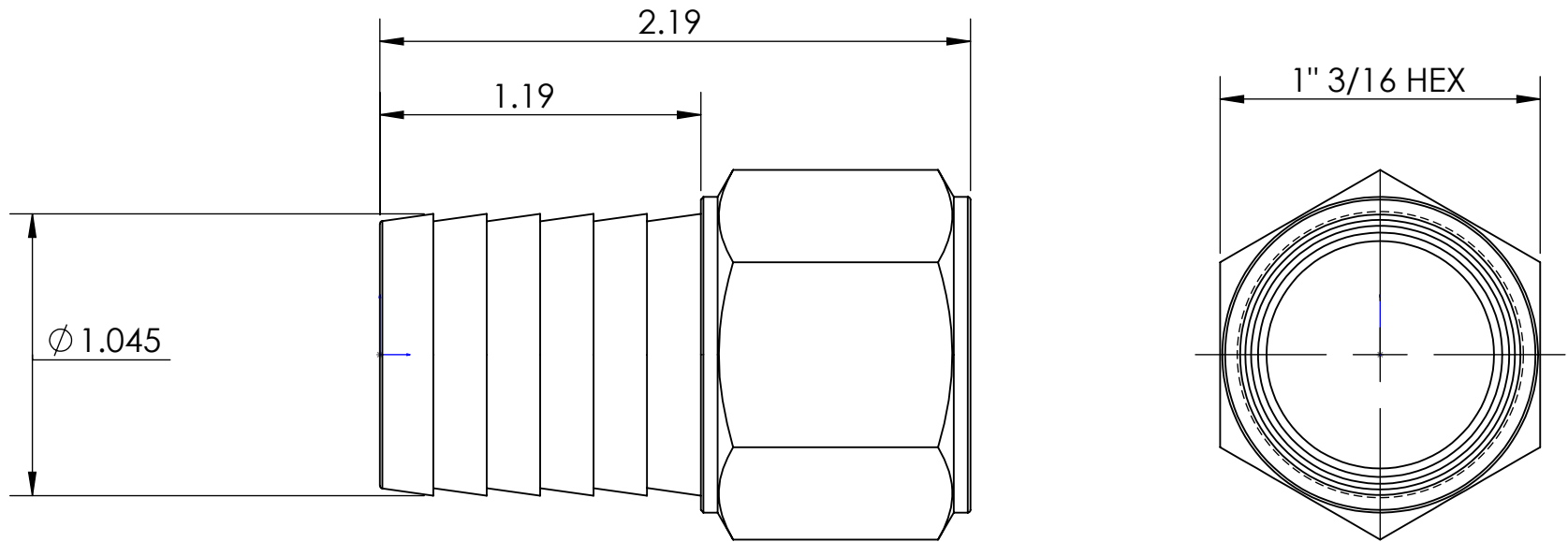
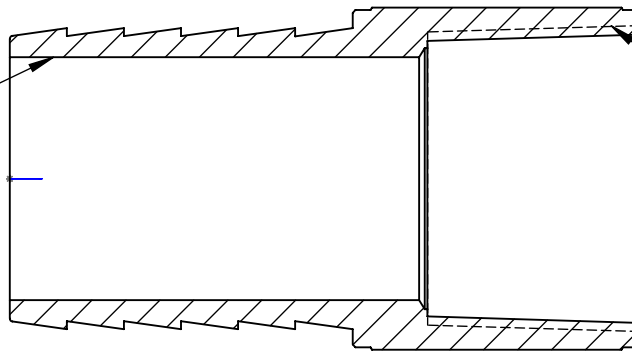


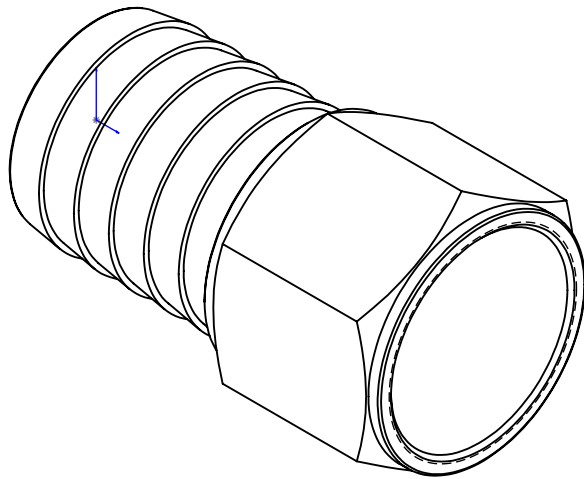
LINE DRAWING NOT FOR PRODUCTION PURPOSES




THRU HOLE DIA. .843



3/4 - 14 NPTF  
THREAD



THIS DRAWING CONTAINS INFORMATION DEEMED PROPRIETARY TO DIXON BRASS AND IS SO TO BE USED ONLY FOR THE PURPOSE FOR WHICH IT IS SUBMITTED, AND FURTHER, SHALL NOT BE COPIED IN WHOLE OR IN PART WITHOUT EXPRESS WRITTEN PERMISSION FIRST OBTAINED FROM DIXON BRASS.				
UNLESS OTHERWISE SPECIFIED:		 The Right Connection™	DRAWN P. MONAGHAN APPROVED	DATE 1/21/14 DATE
DIMENSIONS ARE IN INCHES  TOLERANCES: ANGLES: ±0°30' .X (±.015) .XX (±.010) .XXX (±.005)  DIMENSIONS PER ANSI Y14.5			<b>Dixon Brass</b> Westmont, Illinois USA	ECO NO.
TITLE: 1" FEMALE HOSE BARB X 3/4 - 14 NPTF		DRAWING NOT REPRODUCED TO SCALE		
SIZE <b>A</b>		DWG. NO. 1041612C	REV A	