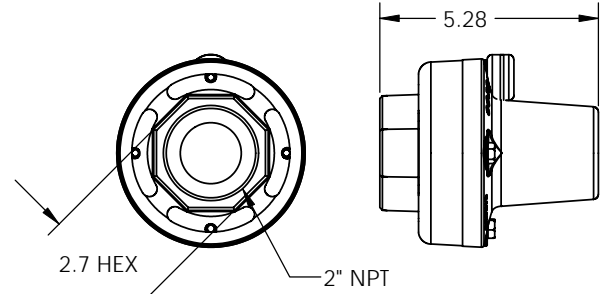


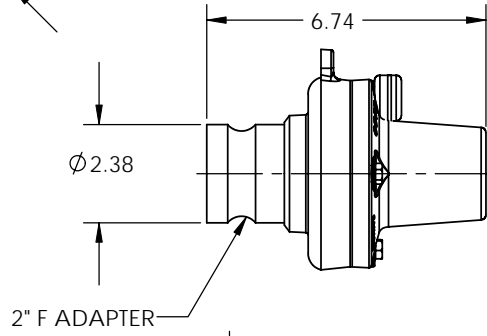
THE INFORMATION CONTAINED IN THIS DRAWING IS THE SOLE PROPERTY OF DIXON-BAYCO INC. ANY REPRODUCTION IN PART OR WHOLE WITHOUT THE WRITTEN PERMISSION OF DIXON BAYCO IS PROHIBITED.

REVISION TABLE				
REV.	ECO	DESCRIPTION	DATE	APPROVED

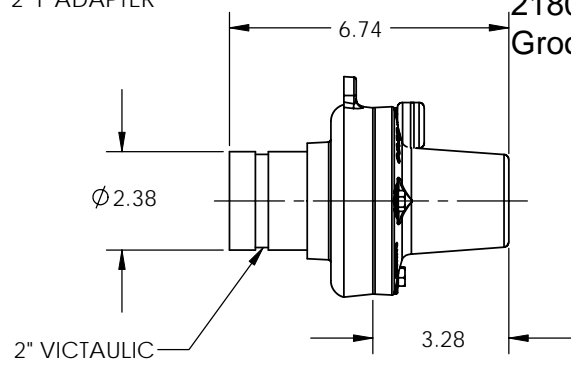
ITEM NO.	DESCRIPTION	QTY.
1	2" Vitaulic / 2" F Adapter / 2" NPT	1
2	Top Cover	1
3	Spacer	1
4	Seal	1
5	Spring	1
6	Lock Washer	4
7	Flat Washer	as needed
8	Screw	4
9	CUP SEAL	1
10	Valve Plate	1



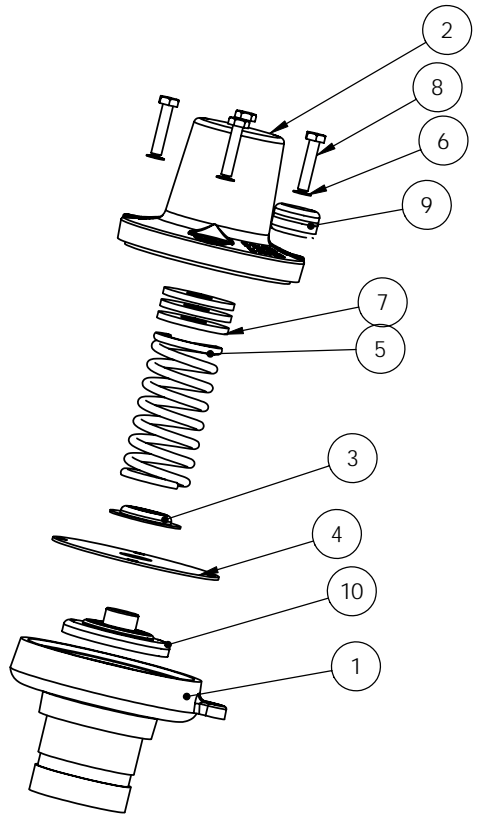
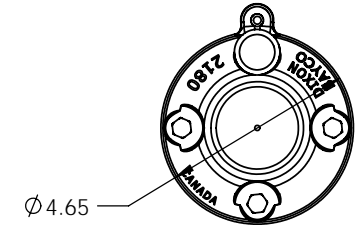
2180 & A2180 Series (2" Female Thread Inlet)



2180B & A2180B Series (2" Cam & Groove Adapter Inlet)



2180V & A2180V Series (2" Vic Grooved Adapter Inlet)



DIMENSIONS ARE IN INCHES UNLESS OTHERWISE SPECIFIED
TOLERANCES ARE:



CAD GENERATED DRAWING; DO NOT MANUALLY UPDATE
DO NOT SCALE DRAWING

MATERIAL	--	APPROVALS	DATE
FINISH	--	DRAWN BY	Aug 14/09
		CHECKED	

APPROVALS	DATE
F. Fidelino	Aug 14/09

DIXON BAYCO LIMITED
2200 LOGAN AVE. WINNIPEG, MB. R2R 0J2
PHONE (204) 633-5650 FAX (204) 633-6119

TITLE
**2" Air Relief Valve
2180 All Configuration**

SIZE DWG. NO. REV.
B 2180 Customer Drawing 0

ECO SHEET 1 OF 1