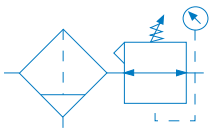


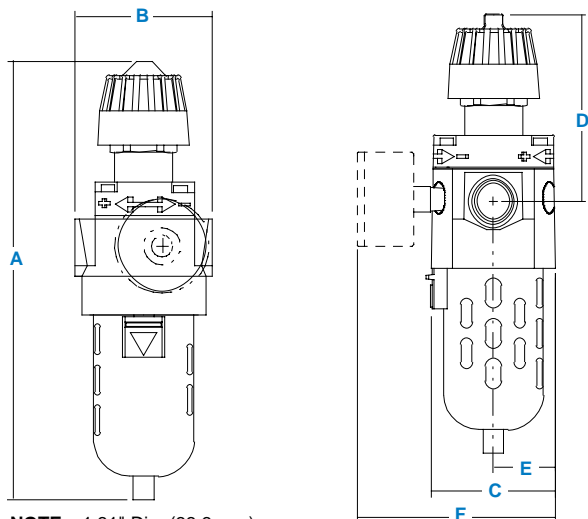
Filter/Regulator CB6



CB6-02-000

Features

- 5 micron filtration.
- Balanced valve.
- Manual flex drain.
- Integral plastic bowl/bowl guard.
- Quick-disconnect bowl.



NOTE: 1.31" Dia. (33.3 mm) hole required for panel nut mounting

Specifications

Flow Capacity*	1/4	64.0 scfm (30,2 dm ³ /s)
	3/8	70.0 scfm (33,0 dm ³ /s)
	1/2	70.0 scfm (33,0 dm ³ /s)
Maximum Operating Temperature	Poly. Bowl	125°F (52°C)
	Metal Bowl	175°F (79°C)
Maximum Supply Pressure	Poly. Bowl	150 psig (10 bar)
	Metal Bowl	200 psig (14 bar)
Standard Filtration	Micron	5
Useful Retention	oz. (cm ³)	2.7 (80,8)
Adjusting Range Pressure 0-50 psig (0-3,5 bar)/0-125 psig (0-8,5 bar)		
Port Size	NPT/BSPP-G	1/4, 3/8, 1/2
Gauge Port (2 ea.)	NPT/BSPT-Rc	1/4
Weight	lb. (kg)	2.4 (1,1)

*Inlet pressure 100 psig (7 bar). Secondary pressure 90 psig (6 bar).

"F" Series Filters, Type "A" 5 micron elements: All Wilkerson Type "A"

5 micron elements **meet or exceed** ISO Class 3 for maximum particle size and concentration of solid contaminants.

Materials of Construction

Body	Zinc	
Bonnet, Knob	PBT	
Stem, Element Retainer And Deflector	Acetal	
Bowls	Plastic Bowl	Polycarbonate
	Metal Bowl	Zinc
Filter Element	Polypropylene	
Seals	Plastic Bowl	Nitrile
	Metal Bowl	Fluorocarbon
Springs	Steel	
Valve Assembly	Brass/Nitrile	
Diaphragm	Nitrile/Zinc	
Panel Nut	Acetal	

Dimensions

Models	Inches mm	A	B	C	D	E	F
Standard Unit CB6-XX-000		9.38 238	3.00 76	2.64 67	3.95 100	1.34 34	4.18 106
Automatic Mechanical Drain CB6-XX-F00		9.5 241	3.00 76	2.64 67	3.95 100	1.34 34	4.18 106
Metal Bowl CB6-XX-M00		10.0 254	3.00 76	2.64 67	3.95 100	1.34 34	4.18 106
Metal Bowl with Sight Gauge CB6-XX-G00		10.1 256.5	3.00 76	2.64 67	3.95 100	1.34 34	4.18 106

For best performance, regulated pressure should always be set by increasing the pressure up to the desired setting.

Replacement Bowl Kits

Metal Bowl, Automatic Drain.....	FRP-95-950
Metal Bowl, Manual Drain.....	FRP-95-178
Metal Bowl/Sight Gauge, Manual Drain.....	GRP-95-133
Plastic Bowl, Manual Drain.....	FRP-95-017
Plastic Bowl/Bowl Guard, Manual Drain.....	FRP-95-014
Plastic Bowl/Bowl Guard, Automatic Drain.....	FRP-95-015

Replacement Element Kits

Type A 5 Micron.....	FRP-95-160
----------------------	------------

Replacement Kits

Diaphragm Assembly, Non-relieving.....	RRP-96-216
Diaphragm Assembly, Self-relieving.....	RRP-96-213
Spring, Regulating, 0-50 psig (0-3,4 bar).....	RRP-95-222
Spring, Regulating, 0-125 psig (0-8,5 bar).....	RRP-95-224

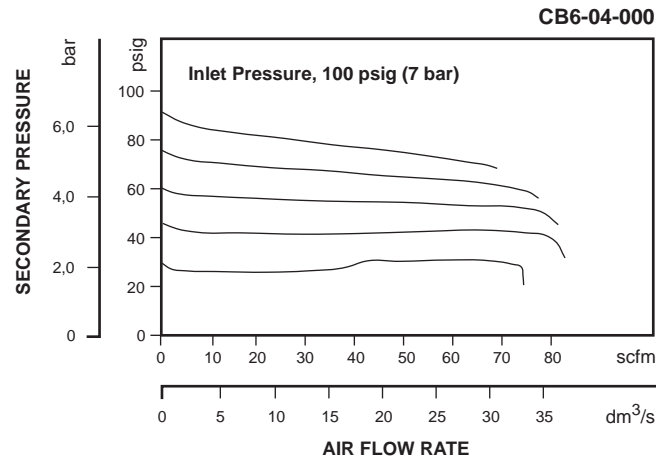
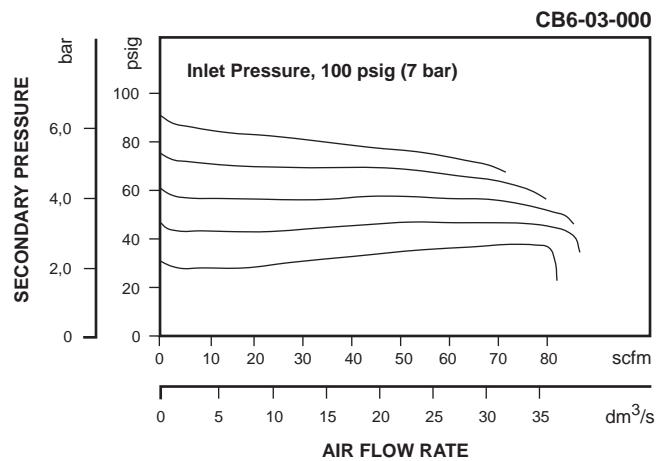
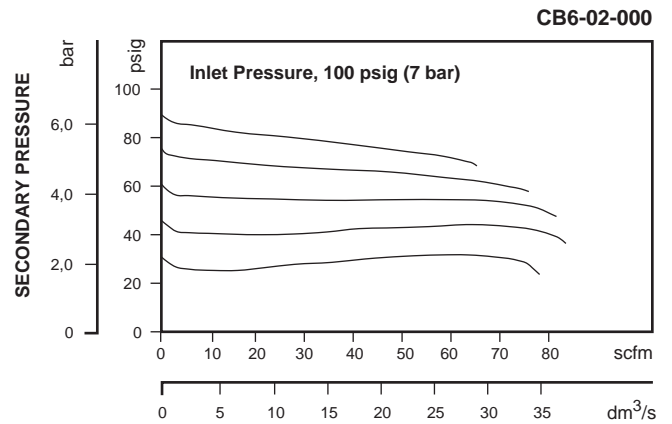
Accessories

Automatic Mech. Drain, 1/8 NPT, Fluorocarbon.....	GRP-95-981
Automatic Mech. Drain, 1/8 NPT, Nitrile.....	GRP-95-973
Manual Drain.....	FRP-95-610
Wall Mounting Bracket, Gauge Port Adapter, 1/4 NPT.....	RRP-95-590
Wall Mounting Bracket, L-Type.....	GPA-95-012
Drain, Manual Override for Auto Float Drain, 1/8 NPT.....	GRP-96-000
Gauge, Pressure, 0-60 psig (0-4,1 bar), 2 Dial Face 1/4 NPT CBM.....	RRP-95-230
Gauge, Pressure, 0-160 psig (0-11,0 bar), 2 Dial Face 1/4 NPT CBM.....	GRP-95-229
Gauge, Pressure, 0-300 psig (0-21 bar), 2 Dial Face 1/4 NPT CBM.....	RRP-95-231
Panel Nut, Plastic.....	GPA-95-032
Tamper Resistant Kit.....	RPA-95-006

Ordering Information

Model Type	Port Size	Polycarbonate Bowl/Bowl Guard 0-125 psi (0-8,5 bar)	Metal Bowl 0-125 psi (0-8,5 bar)	Metal Bowl Sight Gauge 0-125 psi (0-8,5 bar)	Low Pressure 0-50 psi (0-3,4 bar)
Manual Drain	1/4	CB6-02-000	CB6-02-M00	CB6-02-G00	CB6-02-L00
	3/8	CB6-03-000	CB6-03-M00	CB6-03-G00	CB6-03-L00
	1/2	CB6-04-000	CB6-04-M00	CB6-04-G00	CB6-04-L00
Automatic Mechanical Drain	1/4	CB6-02-F00	CB6-02-FM0	CB6-02-FG0	CB6-02-FL0
	3/8	CB6-03-F00	CB6-03-FM0	CB6-03-FG0	CB6-03-FL0
	1/2	CB6-04-F00	CB6-04-FM0	CB6-04-FG0	CB6-04-FL0

Options - To order an option supplied with the unit model, add the appropriate coded suffix letter in position 6, 7, 8 of the model number. For additional information on accessories and repair kits refer to pages 326 through 334.



Note: Gauge not included, order separately by accessory number.